

Model OMO (miniature)

Specification

Output Torque

8.0 lbf ins/0.9 Nm
at 100 psi/7 bar

Angle of Travel (adjustable)

80° - 100°
(restricted travel
versions available)

Displaced Volume

0.15 in³/2.4 cm³

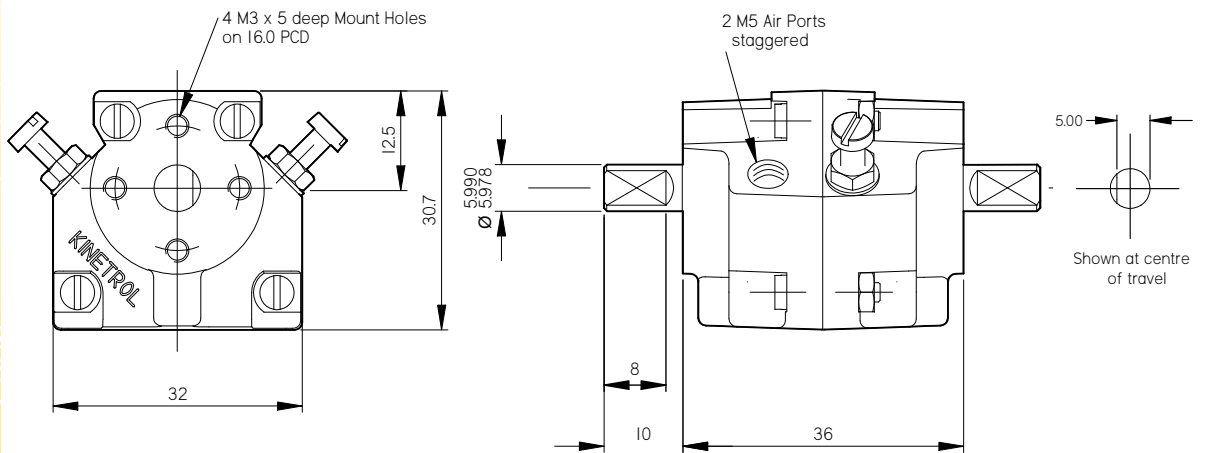
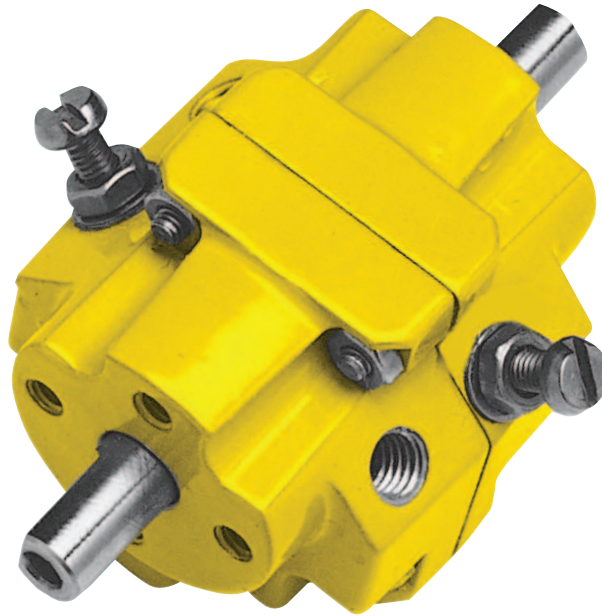
Finish

Epoxy stove enamel

Weight

0.26 lb/0.12 kg

For further information
see General Specification
on page 50.



Options

- Code identification see page 53
- Torque outputs see pages 51/52
- English dimensions see page 44